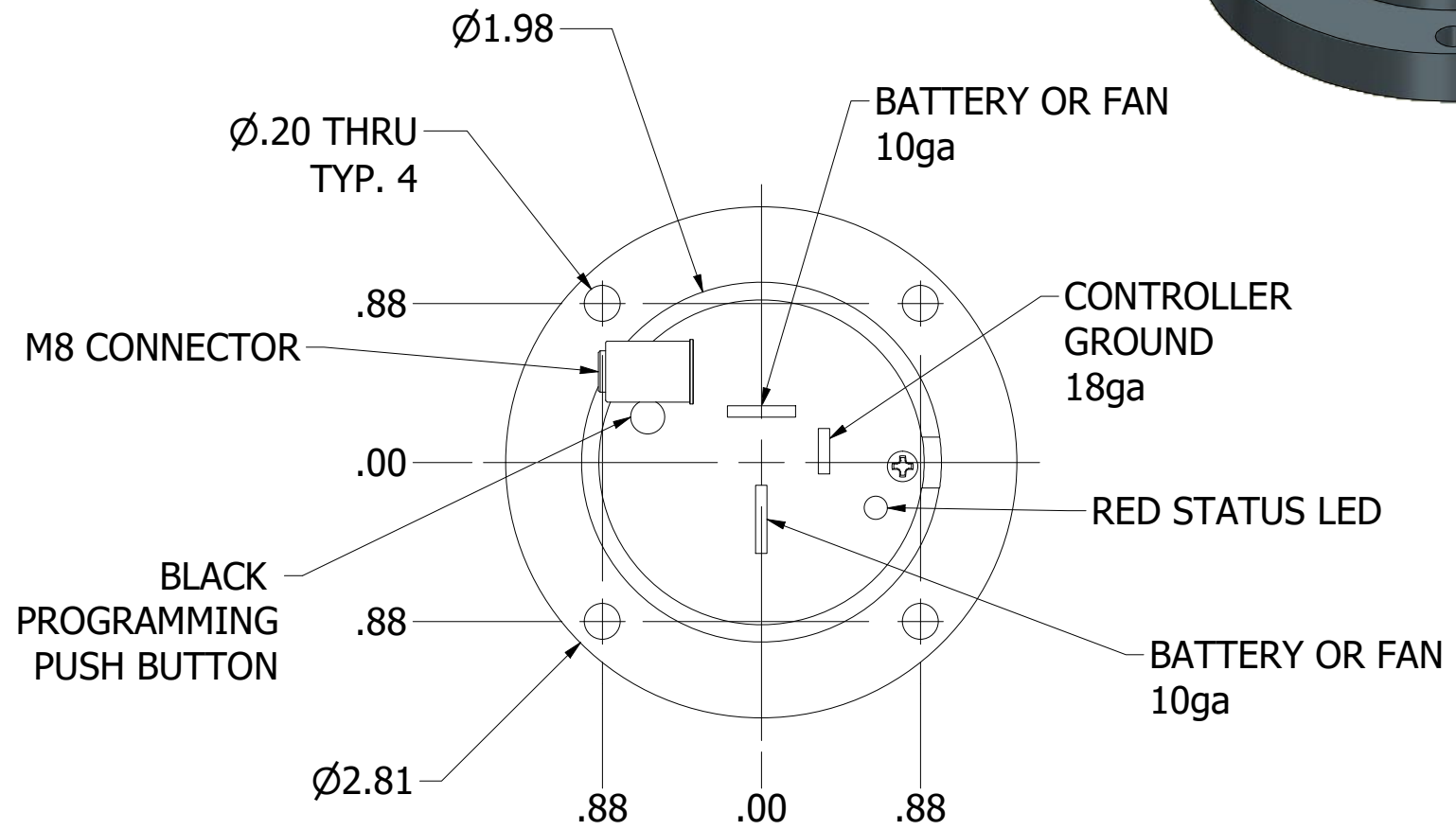
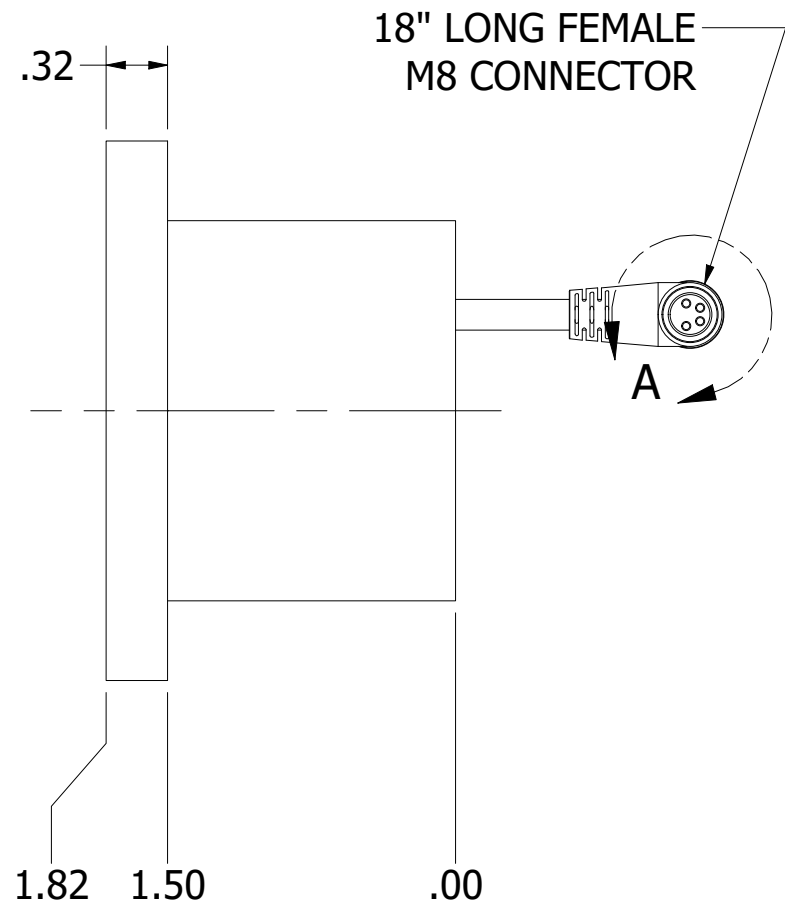
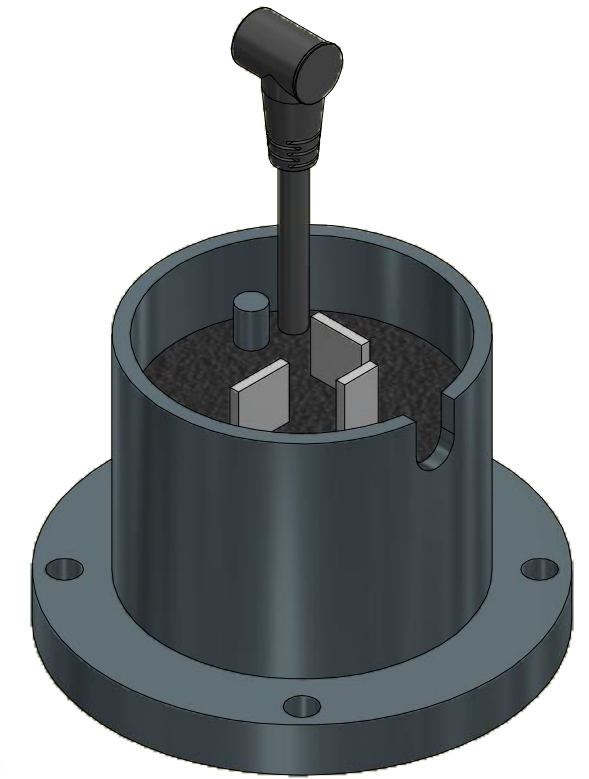
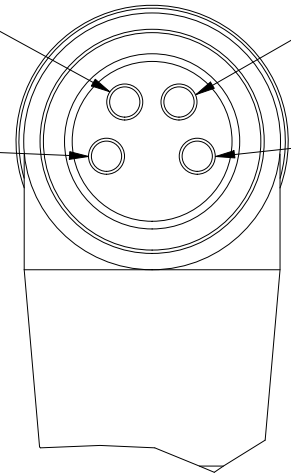





- 4. SIGNAL TIED (BLK)
- 3. GROUND (BLU)
- 2. SIGNAL TIED (WHT)
- 1. POWER (BRN)

DETAIL A  
18" LONG M8 FEMALE  
CONNECTOR PINOUT



CONFIDENTIAL-ALL RIGHTS RESERVED DISCLOSURE OR DUPLICATION PROHIBITED				DESIGN: A.BEYER	DATE: 07/09/20	DRAFTING:	DATE:		WWW.JORALLC.COM	
UNLESS OTHERWISE SPECIFIED: DIMENSIONS ARE DECIMAL INCH				CHECKED: K.KLEPPER	DATE: 0710/20	APPROVED:	DATE:			
MANUFACTURING TOLERANCES				B.O.M.	RELEASED:	DATE:	TITLE: FCM1			
.X ±.015	.XX ±.005	.XXX ±.001	ANGLE 1°	CUSTOMER:	SIZE 11x17	SCALE 1:1	DWG NO.:	C11005	REV. N/A	SHEET: 1 OF 1