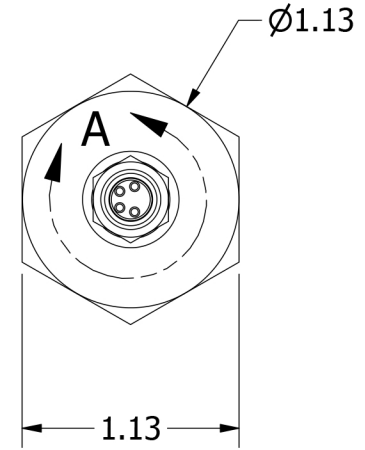
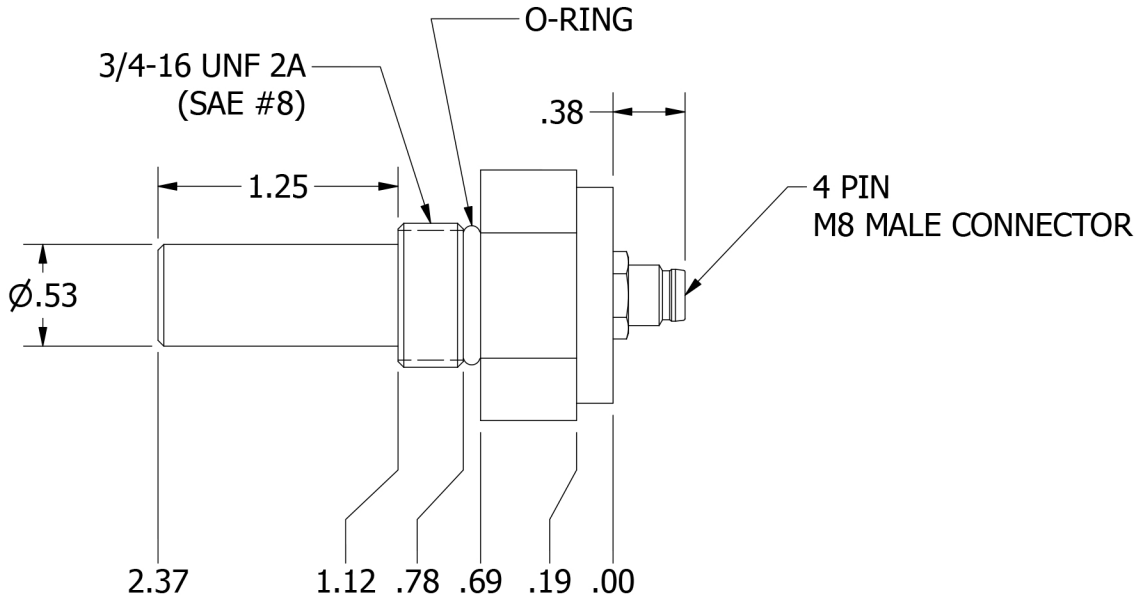
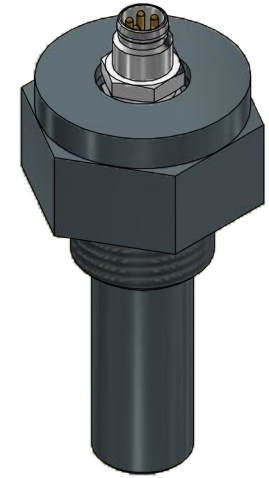
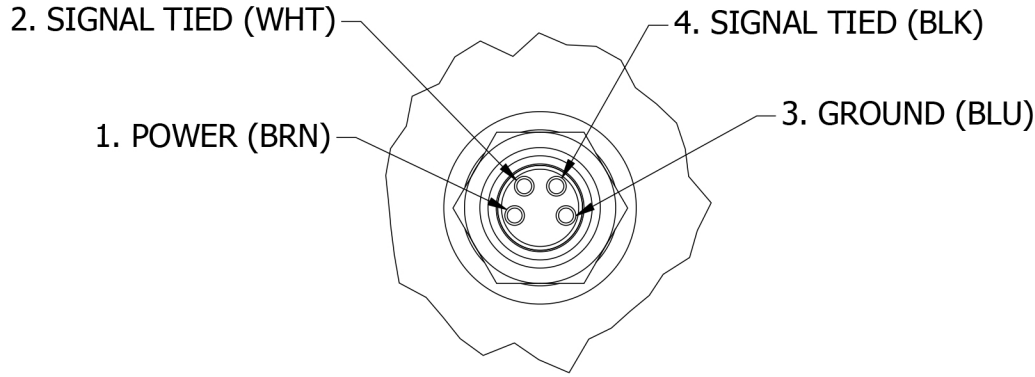


DETAIL A
4 PIN M8 MALE
CONNECTOR PINOUT



CONFIDENTIAL-ALL RIGHTS RESERVED DISCLOSURE OR DUPLICATION PROHIBITED UNLESS OTHERWISE SPECIFIED: DIMENSIONS ARE DECIMAL INCH MANUFACTURING TOLERANCES .X ±.015 .XX ±.005 .XXX ±.001 ANGLE 1°	DESIGN: A.BEYER	DATE: 06/24/20	DRAFTING:	DATE:	 WWW.OEMFANCONTROL.COM	
	CHECKED: K.KLEPPER	DATE: 06/25/20	APPROVED:	DATE:		
	B.O.M.		RELEASED:	DATE:	TITLE: FCRP-SAE8-10/8	
	CUSTOMER:			SIZE 8.5x11	SCALE 1:1	DWG NO.: C11004
					REV. N/A	SHEET: 1 OF 1